

<b>Tangential Manhole Form 08 - TYPE 3</b>	<b>Language</b>	<b>English</b>
--	-----------------	----------------

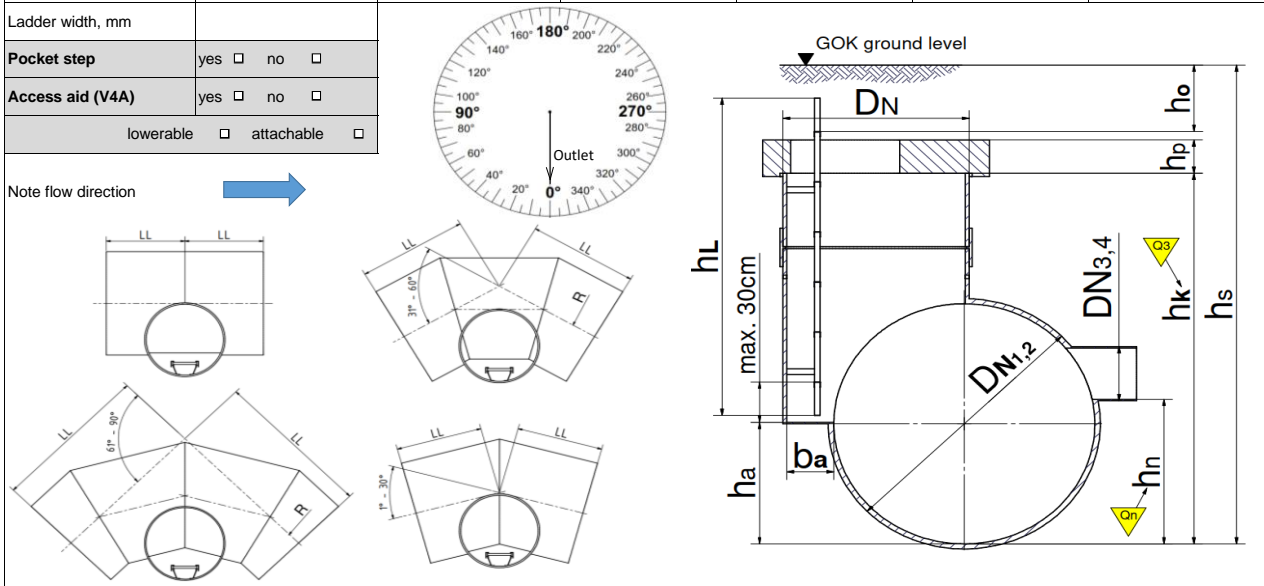
<b>Project:</b>	<b>AB-Nr.:</b>
-----------------	----------------

<b>Delivery date:</b>	<b>Manhole-No.:</b>
-----------------------	---------------------

<b>Revision:</b>	<b>Date:</b>	<b>Author:</b>
------------------	--------------	----------------

<b>Delivery adress:</b>	<b>Customer:</b>
-------------------------	------------------

Manhole		Material + SN	Outlet	Inlet	Inlet 1	Inlet 2
DN, mm		Material + SN				
SN, N/m2		DN, mm				
hk, mm	$\nabla 0.3\%$	$h_n$ , mm	n.r			
<b>Ladder</b>	yes <input type="checkbox"/> no <input type="checkbox"/>	Gradient, ‰				
hL, mm		Angle, ° <input type="checkbox"/> gon <input type="checkbox"/>	n.r			
ho, mm		<b>Coupling</b>	<input type="checkbox"/>	<input type="checkbox"/>	<input type="checkbox"/>	<input type="checkbox"/>
hs, mm		Mech. Coupling	<input type="checkbox"/>	<input type="checkbox"/>	<input type="checkbox"/>	<input type="checkbox"/>
Material:		Other				
Ladder width, mm						
<b>Pocket step</b>	yes <input type="checkbox"/> no <input type="checkbox"/>					
<b>Access aid (V4A)</b>	yes <input type="checkbox"/> no <input type="checkbox"/>					
	lowerable <input type="checkbox"/> attachable <input type="checkbox"/>					



**Manhole pipe with transition ring to concrete cone or shafting acc. To DIN 4034 T1 / EN 1917**

DN1000 <input type="checkbox"/>	DN1200 <input type="checkbox"/>	
---------------------------------	---------------------------------	--

<b>Reinf. Concrete cover (LM1 Eurocode)</b>	yes <input type="checkbox"/> no <input type="checkbox"/>	
---	--	--

<b>lateral secured</b>	with sealing (surfacewater proof) <input type="checkbox"/>	without sealing <input type="checkbox"/>
------------------------	--	--

<b>Access, mm</b>		with half coupling (groundwater proof) <input type="checkbox"/>
-------------------	--	---

<b>Plastic coating Access + lower surface</b>		
---	--	--

<b>incl. transition to standard concrete parts</b>	DN1000 <input type="checkbox"/>	DN1200 <input type="checkbox"/>	Others: <input type="checkbox"/>
--	---------------------------------	---------------------------------	----------------------------------

**Standard Dimensions**

Concrete plate hp:	≤ DN1300: 200mm	≤ DN2700: 250mm	> DN2700: 300mm	custom hp: <input type="checkbox"/>	mm
--------------------	-----------------	-----------------	-----------------	-------------------------------------	----

treads width ba:	300 mm	Radius R:	DN x 1.5		
------------------	--------	-----------	----------	--	--

treads high ha:	490 mm	If ha > 500mm, pocket steps are used			
-----------------	--------	--------------------------------------	--	--	--

**Comment:**

**Notes:** The ladder will be placed according to the factory standard. Please mark a special position in the clock if needed.

Standard manholes are manufactured based on EN 15383.

Available Ladder material: GRP, Stainless steel, Aluminum

Tolerances: length: ± 10 mm; Angle: ± 1°; Slope (straight channel): ± 2‰